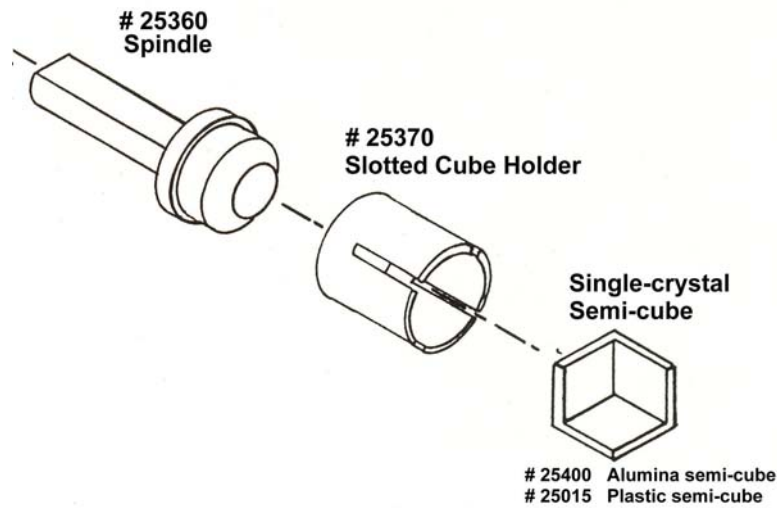


Doty Single-crystal Probe Parts



- The Slotted Cube Holder is glued to the Spindle for precise alignment before shipping.
- Individual Semi-cubes can be prepared with a crystal glued to one inner face of the semi-cube. The semi-cube can then be inserted in several orientations into the spindle/cube-holder.

For reference, please look at the picture of the spindle with the slotted cube holder glued on. **Note: one section of the cube holder has been broken off.**



If you are missing the spindle, or if it is broken, you must order it as one piece.

25360/25370 Single-crystal Cube Holder with Spindle.

Description	Part #	Price (US\$)
Single-crystal Slotted Cube Holder with Spindle	25370/25360	\$ 400
Al ₂ O ₃ Semi-cube	25400	\$190
Vespel Semi-cube	25015 - V	\$110
Peek Semi-cube	25015 - P	\$110
US Prices, Foreign Prices Higher		